

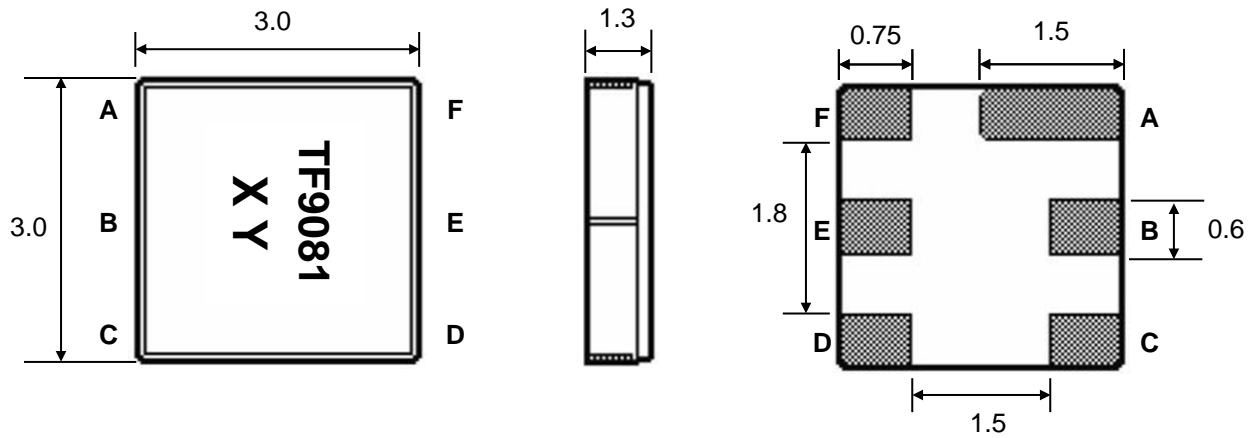
- RF SAW Filter
- Revision 0: March 2016

## Electrical Characteristics

MAXIMUM RATING				
PARAMETERS DESCRIPTION	UNIT	MINIMUM	TYPICAL	MAXIMUM
Operating Temperature Range	°C	-10	-	+65
Storage Temperature Range	°C	-40	-	+85
Maximum DC Voltage	V	-	-	5
Maximum Input Power	dBm	-	-	10
Source Impedance (single ended) <sup>(1)</sup>	Ω	-	50	-
Load Impedance (single ended) <sup>(1)</sup>	Ω	-	50	-
Package type & size	M			
Length x Width	mm <sup>2</sup>	-	3.0 x 3.0	-
Height	mm	-	-	1.3

ELECTRICAL SPECIFICATION				
PARAMETERS DESCRIPTION	UNIT	MINIMUM	TYPICAL	MAXIMUM
Center Frequency (Fo)	MHz	-	1747.50	-
Insertion Loss at Fo @ 1710.00 ~1785.00 MHz	dB	-	3.5	4.5
Amplitude Ripple @ 1710.00 ~1785.00 MHz	dB	-	2.0	2.5
<b>Absolute Attenuation:</b>				
10 ~1500.00 MHz	dB	16	20	-
1500.00 ~1670.00 MHz	dB	20	24	-
1670.00 ~1690.00 MHz	dB	20	25	-
1805.00 ~1880.00 MHz	dB	12	18	-
1880.00 ~2200.00 MHz	dB	20	25	-
2200.00 ~4500.00 MHz	dB	16	22	-
4500.00 ~5200.00 MHz	dB	12	20	-

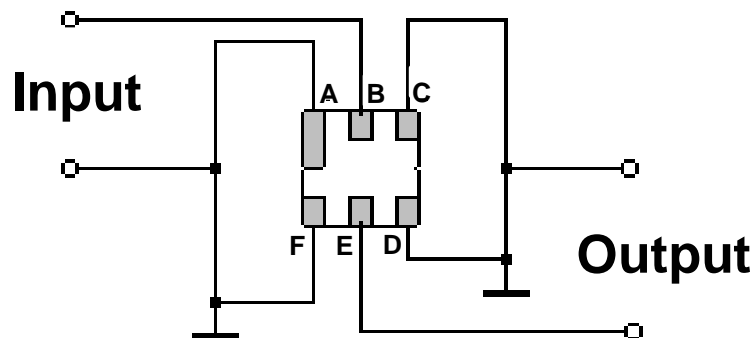
## Package Dimensions



Marking Descriptions	
TF	Transko Filter
9081	Series Number
X	Date Code (Year)
Y	Date Code (Month)

Pin Description	
A, C, D, F	Ground
E	Output
B	Input

## Testing Environment



Source & Load Impedance: 50  $\Omega$

**Frequency Characteristics**

**Frequency Response**

